

PRH2D14A



FEATURES 特点

- * Excellent solderability and high heat resistance
良好的可焊性和高耐热性

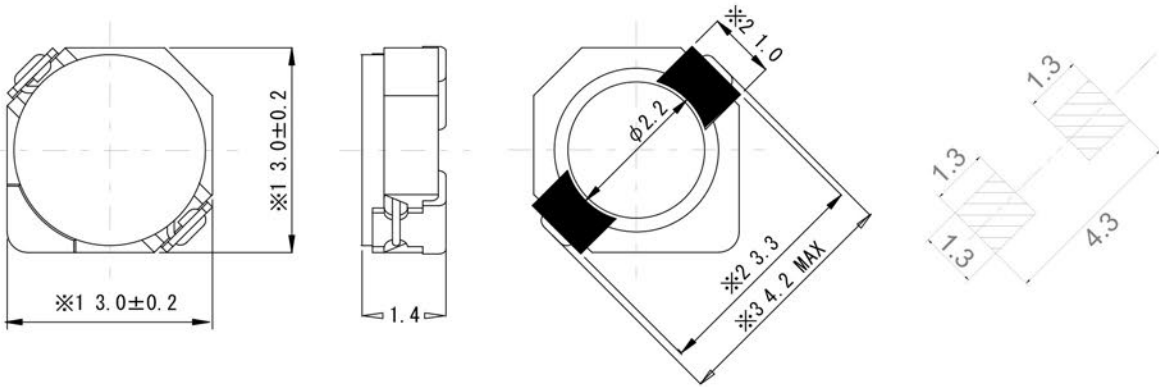
APPLICATION 用途

- * DC / DC 转换器

MEASURING FREQUENCY 测试频率

- * 100KHz 0.3V

Shapes And Dimensions 外形及尺寸示意图



Electrical Characteristics 电气性能

Type 型號	Indicate 表示	Inductance 電感值	D.C.R(Max) 直流電阻 (毫歐)	Rated Current(Max) 額定電流 (A)
PRH2D1 4A-1R5	1R5	1.5 μ H \pm 30%	63(50)	1.80
PRH2D1 4A-1R8	1R8	1.8 μ H \pm 30%	75(60)	1.65
PRH2D1 4A-2R2	2R2	2.2 μ H \pm 30%	94(75)	1.50
PRH2D1 4A-2R7	2R7	2.7 μ H \pm 30%	106(85)	1.35
PRH2D1 4A-3R3	3R3	3.3 μ H \pm 30%	125(100)	1.20
PRH2D1 4A-3R9	3R9	3.9 μ H \pm 30%	138(110)	1.10
PRH2D1 4A-4R7	4R7	4.7 μ H \pm 30%	169(135)	1.00
PRH2D1 4A-5R6	5R6	5.6 μ H \pm 30%	188(150)	0.95
PRH2D1 4A-6R8	6R8	6.8 μ H \pm 30%	213(170)	0.85
PRH2D1 4A-8R2	8R2	8.2 μ H \pm 30%	281(225)	0.80
PRH2D1 4A-100	100	10 μ H \pm 30%	294(235)	0.70
PRH2D1 4A-120	120	12 μ H \pm 30%	394(315)	0.62

* SPQ:1000PCS/REEL