

PRH4D18



FEATURES 特点

- * Excellent solderability and high heat resistance
良好的可焊性和高耐热性

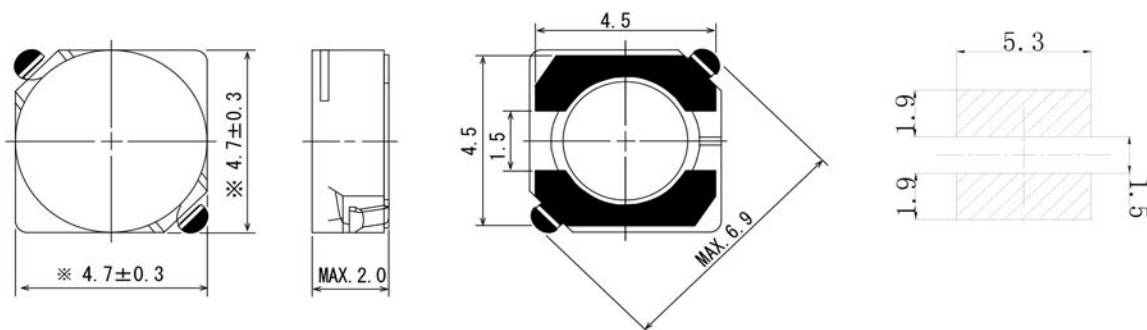
APPLICATION 用途

- * DC / DC 转换器

MEASURING FREQUENCY 测试频率

- * 100KHz 0.3V

Shapes And Dimensions 外形及尺寸示意图



Electrical Characteristics 电气性能

Type 型號	Indicate 表示	Inductance 電感值	D.C.R(Max) 直流電阻 (mΩ)	Rated Current(Max) 額定電流 (A)
PRH4D1 8-1R0	1R0	1.0μH±30%	45(35m)	1.72
PRH4D1 8-2R2	2R2	2.2μH±30%	73m(58m)	1.32
PRH4D1 8-2R7	2R7	2.7μH±30%	100m(80m)	1.28
PRH4D1 8-3R3	3R3	3.3μH±30%	105m(85m)	1.04
PRH4D1 8-3R9	3R9	3.9μH±30%	150m(120m)	0.88
PRH4D1 8-4R7	4R7	4.7μH±30%	156m(125m)	0.84
PRH4D1 8-5R6	5R6	5.6μH±30%	165m(130m)	0.80
PRH4D1 8-6R8	6R8	6.8μH±30%	193m(155m)	0.76
PRH4D1 8-8R2	8R2	8.2μH±30%	240m(190m)	0.68
PRH4D1 8-100	100	10μH±30%	192m(148m)	0.61
PRH4D1 8-120	120	12μH±30%	203m(156m)	0.56
PRH4D1 8-150	150	15μH±30%	231m(178m)	0.50
PRH4D1 8-180	180	18μH±30%	325m(250m)	0.48
PRH4D1 8-220	220	22μH±30%	382m(294m)	0.41
PRH4D1 8-270	270	27μH±30%	425m(327m)	0.35
PRH4D1 8-330	330	33μH±30%	668m(514m)	0.32
PRH4D1 8-390	390	39μH±30%	682m(525m)	0.30
PRH4D1 8-470	470	47μH±30%	888m(683m)	0.28
PRH4D1 8-560	560	56μH±30%	1.04(800m)	0.26
PRH4D1 8-680	680	68μH±30%	1.25(1.00)	0.24
PRH4D1 8-820	820	82μH±30%	1.50(1.20)	0.22
PRH4D1 8-101	101	100μH±30%	1.66(1.33)	0.20
PRH4D1 8-121	121	120μH±30%	2.30(1.84)	0.18
PRH4D1 8-151	151	150μH±30%	2.56(2.05)	0.15
PRH4D1 8-181	181	180μH±30%	4000(3.05)	0.14

* SPQ:2500PCS/REEL

The sample parameters are based on actual measured values