

PRH4D22



FEATURES 特点

- * Excellent solderability and high heat resistance
良好的可焊性和高耐热性

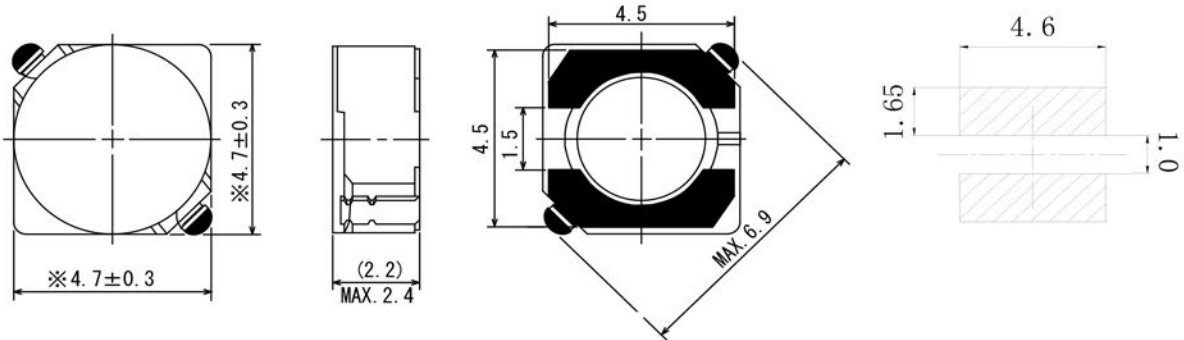
APPLICATION 用途

- * DC / DC 转换器

MEASURING FREQUENCY 测试频率

- * 100KHz 0.3V

Shapes And Dimensions 外形及尺寸示意图



Electrical Characteristics 电气性能

Type 型號	Indicate 表示	Inductance 電感值	D.C.R(Max) 直流電阻 (mΩ)	Rated Current(Max) 額定電流 (A)
PRH4D2 2-1R5	1R5	1.5μH±30%	18.3(4.1)	2.00
PRH4D2 2-1R8	1R8	1.8μH±30%	21.6(16.6)	1.90
PRH4D2 2-2R3	2R3	2.3μH±30%	25.4(19.5)	1.80
PRH4D2 2-3R3	3R3	3.3μH±30%	35.1(27)	1.40
PRH4D2 2-3R9	3R9	3.9μH±30%	40.2(30.9)	1.30
PRH4D2 2-4R7	4R7	4.7μH±30%	55.9(43)	1.10
PRH4D2 2-5R6	5R6	5.6μH±30%	62(47.7)	1.05
PRH4D2 2-6R8	6R8	6.8μH±30%	88(67.7)	1.00
PRH4D2 2-8R2	8R2	8.2μH±30%	96.5(74.2)	0.90
PRH4D2 2-100	100	10μH±30%	102.4(78.8)	0.80
PRH4D2 2-120	120	12μH±30%	110.4(84.9)	0.75
PRH4D2 2-150	150	15μH±30%	127.4(98)	0.68
PRH4D2 2-180	180	18μH±30%	168.7(129.8)	0.60
PRH4D2 2-220	220	22μH±30%	199.7(153.6)	0.54
PRH4D2 2-270	270	27μH±30%	282.5(217.3)	0.51
PRH4D2 2-330	330	33μH±30%	325.8(250.6)	0.48
PRH4D2 2-390	390	39μH±30%	451.2(347.1)	0.43
PRH4D2 2-470	470	47μH±30%	500.4(384.9)	0.38
PRH4D2 2-560	560	56μH±30%	555.4(427.2)	0.36
PRH4D2 2-680	680	68μH±30%	634.1(487.8)	0.33
PRH4D2 2-820	820	82μH±30%	794.6(608.9)	0.30
PRH4D2 2-101	101	100μH±30%	880(670)	0.25
PRH4D2 2-121	121	120μH±30%	1140(880)	0.23
PRH4D2 2-151	151	150μH±30%	1350(1040)	0.21

* SPQ:2000PCS/REEL

The sample parameters are based on actual measured values