

PRH6D38



FEATURES 特点

- * Excellent solderability and high heat resistance
良好的可焊性和高耐热性

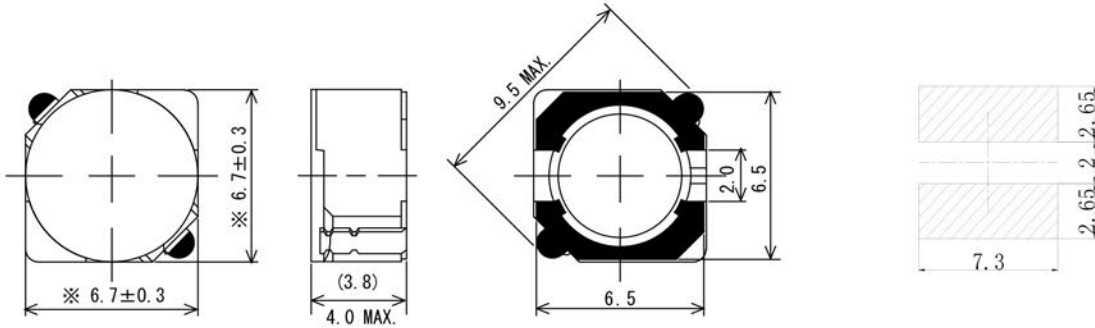
APPLICATION 用途

- * DC / DC 转换器

MEASURING FREQUENCY 测试频率

- * 100KHz 0.3V

Shapes And Dimensions 外形及尺寸示意图



Electrical Characteristics 电气性能

Type 型號	Indicate 表示	Inductance 電感值	D.C.R(Max) 直流電阻 (mΩ)	Rated Current(Max) 額定電流 (A)
PRH6D3 8-3R3	3R3	3.3μH±30%	20(15)	3.50
PRH6D3 8-5R0	5R0	5.0μH±30%	24(18)	2.90
PRH6D3 8-6R2	6R2	6.2μH±30%	27(20)	2.50
PRH6D3 8-7R4	7R4	7.4μH±30%	31(23)	2.30
PRH6D3 8-8R7	8R7	8.7μH±30%	34(25)	2.20
PRH6D3 8-100	100	10μH±30%	38(28)	2.00
PRH6D3 8-120	120	12μH±30%	53(39)	1.70
PRH6D3 8-150	150	15μH±30%	57(42)	1.60
PRH6D3 8-180	180	18μH±30%	92(68)	1.50
PRH6D3 8-220	220	22μH±30%	96(71)	1.30
PRH6D3 8-270	270	27μH±30%	109(81)	1.20
PRH6D3 8-330	330	33μH±30%	124(92)	1.10
PRH6D3 8-390	390	39μH±30%	138(102)	1.00
PRH6D3 8-470	470	47μH±30%	155(115)	0.95
PRH6D3 8-560	560	56μH±30%	202(150)	0.85
PRH6D3 8-680	680	68μH±30%	234(173)	0.75
PRH6D3 8-820	820	82μH±30%	324(240)	0.70
PRH6D3 8-101	101	100μH±30%	358(265)	0.65

* SPQ:1500PCS/REEL

The sample parameters are based on actual measured values