

PRH8R25



FEATURES 特点

- * Excellent solderability and high heat resistance
良好的可焊性和高耐热性

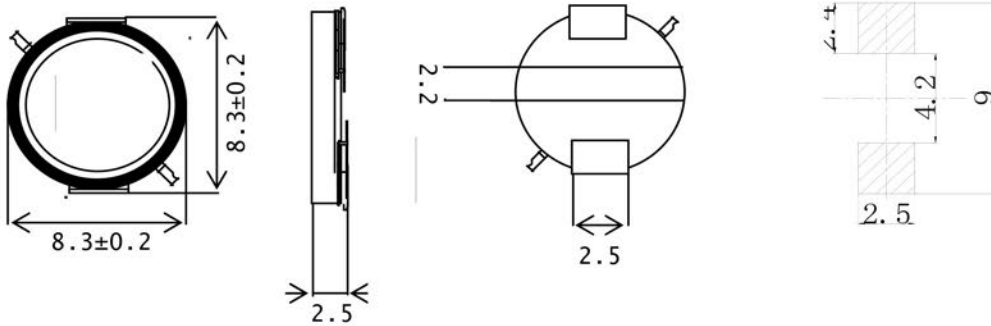
APPLICATION 用途

- * DC / DC 转换器

MEASURING FREQUENCY 测试频率

- * 100KHz 0.3V

Shapes And Dimensions 外形及尺寸示意图



Electrical Characteristics 电气性能

Type 型號	Indicate 表示	Inductance 電感值	D.C.R(Max) 直流電阻 (mΩ)	Rated Current(Max) 額定電流 (A)
PRH8R25- 2R2	2R2	2.2μH±25%	49 (38)	6.2
PRH8R25- 3R3	3R3	3.3μH±25%	58 (45)	5.2
PRH8R25- 6R8	6R8	6.8μH±25%	102 (78)	3.8
PRH8R25- 100	100	10μH±25%	120 (93)	3.4
PRH8R25- 120	120	12μH±25%	162 (125)	3.2
PRH8R25- 150	150	15μH±25%	190 (147)	2.6
PRH8R25- 180	180	18μH±25%	215 (166)	2.4
PRH8R25- 220	220	22μH±25%	241 (186)	2.3
PRH8R25- 330	330	33μH±25%	455 (350)	1.6

* SPQ:1000PCS/REEL